

## AMX

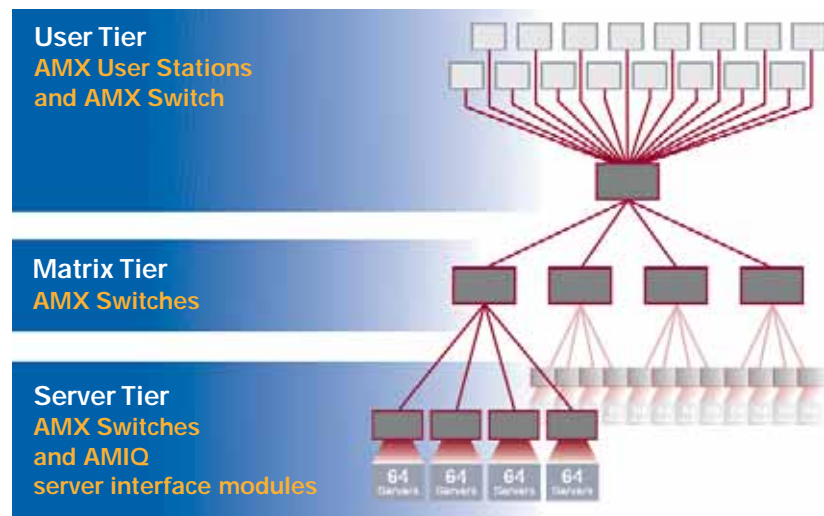
MULTI-USER, MULTI-PLATFORM  
SWITCHING FOR REAL-TIME  
DATA CENTER AND TEST LAB  
ENVIRONMENTS



## ABOUT AMX

Avocent AMX<sup>®</sup> switching systems help you efficiently manage your IT environment. They are easy to install, let you leverage your existing UTP infrastructure and deliver advanced administrative tools.

AMX switching system matrix configuration can accommodate up to 128 users and 4,096 target devices.



# smarter SWITCHING SOLUTIONS

Based on field-proven technology, the AMX analog matrix switching systems provide real-time access, high resolution video, smart cable management and advanced security.

Security features include LDAP authentication and SNMP. AMX switching systems easily integrate with Microsoft Active Directory and other LDAP services. You benefit by using the same username and password that already exists in your normal network authentication process. Our enhanced SNMP lets you set up traps in the AMX switch for establishing convenient report alarms to an external logging destination.



Designed to support diverse applications, the AMX switch is ideal for demo labs, designer environments and test labs. Leading TV networks, including FOX, ABC and CNBC, use AMX KVM switching solutions to control access to their machine room computers and broadcast devices.

## AMX Switches & Appliances - Family Overview

The Avocent® AMX analog matrix switching solution supports consolidated control of multi-user, multi-rack server environments. AMX switch solutions provide end-to-end UTP connectivity for access from the server to the desk and feature full-system management with an advanced Java-based administration tool, optimal video resolution and the patented OSCAR® graphical user interface.

**“Easy to install,  
leverages existing  
cabling, has intuitive  
GUI, provides excellent  
video quality.”**

**-Network World**

# AMX BENEFITS in the test lab

Real-time access and high resolution video are two of the top reasons test labs use Avocent AMX switching systems.

The AMX switch, which uses standard UTP cabling, is particularly effective in test labs where multiple users simultaneously access and monitor testing simulation on hundreds of servers. Access to such servers is critical because testing simulation typically requires a large amount of hardware, software and integration testing. The AMX switching solution provides users in multiple locations with real-time access to the test machines either from offices down the hall or, when used with an Avocent remote IP access device, from outside the building.



Test labs with large numbers of users and computers will benefit from the AMX switching system matrix configuration. It can accommodate a maximum of 128 users and 4,096 servers.

There are several AMX switching system features beneficial to the test lab environment:

### **Share mode**

Any number of AMX system users share access to any one server. Control of the server's keyboard and mouse passes from user to user, as requested, on a time out basis.

### **Private mode**

One tester has sole access to a server. This is critical to the success of tests that cannot be interrupted by other users.

### **Scan mode**

A tester switches between the videos of a number of selected servers. The scan is stopped by simply moving the mouse or typing on the keyboard.

### **DDC**

Each AMX AMIQ module provides Digital Data Channel (DDC) support for plug and play functionality testing of server video ports.

### **Hotkey switching**

Allows a user to quickly switch between a number of servers without using an on-screen display. This is particularly useful for testers who connect to a small number of servers but make frequent switches.



## AMX BENEFITS in the data center

Ideally, your data center servers and other devices are located in a physically secure location. Your KVM solutions therefore must adapt to existing physical security guidelines. With AMX KVM switches, multiple users share access to equipment located in a secure server room.

AMX switching systems can also force user station connections. This is a beneficial procedure for controlling an automated video wall operation, a growing fixture in today's data centers.



AMX KVM analog matrix switching systems offer a variety of compelling reasons for use in multi-rack, multi-platform and multi-operating system data centers:

- Your equipment is secured in a server room
- Server access is easily shared by multiple users
- Auto configuration for simplified installation
- Plug and play installation
- Integrate with video wall software
- Multi-platform support
- Compatible with VT100 serial-based devices
- Low cost per port
- Conserves rack space.
- Full non-blocked access
- Enhanced security with LDAP authentication
- Convenient user activity/event log
- High resolution video up to 1,000 feet from the server
- Standard UTP cabling reduces cable bulk
- On-screen graphical user interface
- Centralized management software
- Scalable to grow with your expanding IT infrastructure

# AMX switches & software



**AMX5000** • **AMX5010** • **AMX5020** • **AMX5030** • **AMIQ** • **AMWorks**



*AMX5010 Switch*



*AMWorks Java-based system administration tool*



*AMIQ Module*

The **AMX5000**, **AMX5010**, **AMX5020** and **AMX5030** matrix switches simplify management in your evolving server installation. They give you access from a single point or simultaneous access for up to 16 users throughout your data center. They are solutions with a highly scalable architecture that easily accommodates additional servers and users.

The **AMIQ** module is an enhanced UTP server interface that eliminates bulky cabling connections. It also delivers real-time, high bandwidth video for KVM switching up to 1,000 feet away from the server. The AMIQ module has built-in memory that eases configuration by assigning and retaining unique server identification codes for each attached server. This unique security feature prevents unauthorized access to a server through cable manipulation.

The AMX switch features the Avocent-patented OSCAR® graphical user interface, which lets you conveniently switch between connected devices. The **AMWorks**® Java-based system administration tool is included free with each switch for centralized management. It's a highly functional software that supports customized user profiles and provides multi-level security. Use AMWorks software to build a user database and assign access and password protection for each of your servers.

You can view all activities that take place on AMX KVM switching systems, including user login, switches made to servers and changes made to system connections or setup. The database is centrally stored and can be downloaded to the switch via the network connection port available on all AMX5000, AMX5010, AMX5020 and AMX5030 switches.

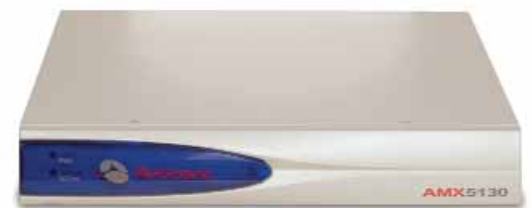
## AMX5111 • AMX5121 • AMX5130

The **AMX5111**, **AMX5121** and **AMX5130** user stations simplify access. They connect your users to the AMX switching system and deliver optimal real-time video to their desks.

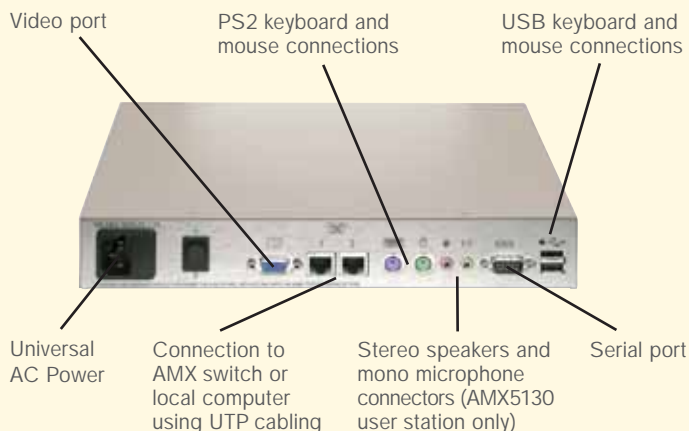
User stations connect to the user's PS/2 and USB keyboard and mouse and send the KVM signals over an industry-standard UTP cable to the Avocent AMX5000, AMX5010, AMX5020 and AMX5030 analog matrix switches. This UTP connectivity and analog switching technology provide multi-user access and control to any server in your KVM matrix system. The AMX5130 user station supports serial switching up to 38.4Kbps and lets the user switch stereo speakers and a microphone.

User stations automatically compensate for varying cable types and lengths such as CAT 5, CAT 5e and CAT 6 including GigaFlex. AMX5121 and AMX5130 user stations offer skew compensation adjustments between RGB signals each time a switch is made to a server.

Avocent AMX user stations work with our OSCAR graphical user interface to provide you with switching support in share, private and scan modes. The OSCAR interface uses intuitive menus for point and click system configuration and server selection.



**AMX switching solutions provide flexibility and optimal performance for today's growing IT installations, security-driven environments and diverse applications.**



AMX5130 user station shown here.



**Avocent**<sup>®</sup>  
The Power of Being There<sup>®</sup>

Corporate Headquarters  
4991 Corporate Drive, Huntsville, AL 35805  
TEL 866.277.1924 FAX 256.430.4030  
[www.avocent.com](http://www.avocent.com)

Avocent, the Avocent logo, The Power of Being There, AMX, AMWorks, and OSCAR are registered trademarks of Avocent Corporation or its affiliates. All other marks are the property of their respective owners.  
Copyright (c) 2006. Avocent Corporation. All rights reserved.

0606-AMX-BRO